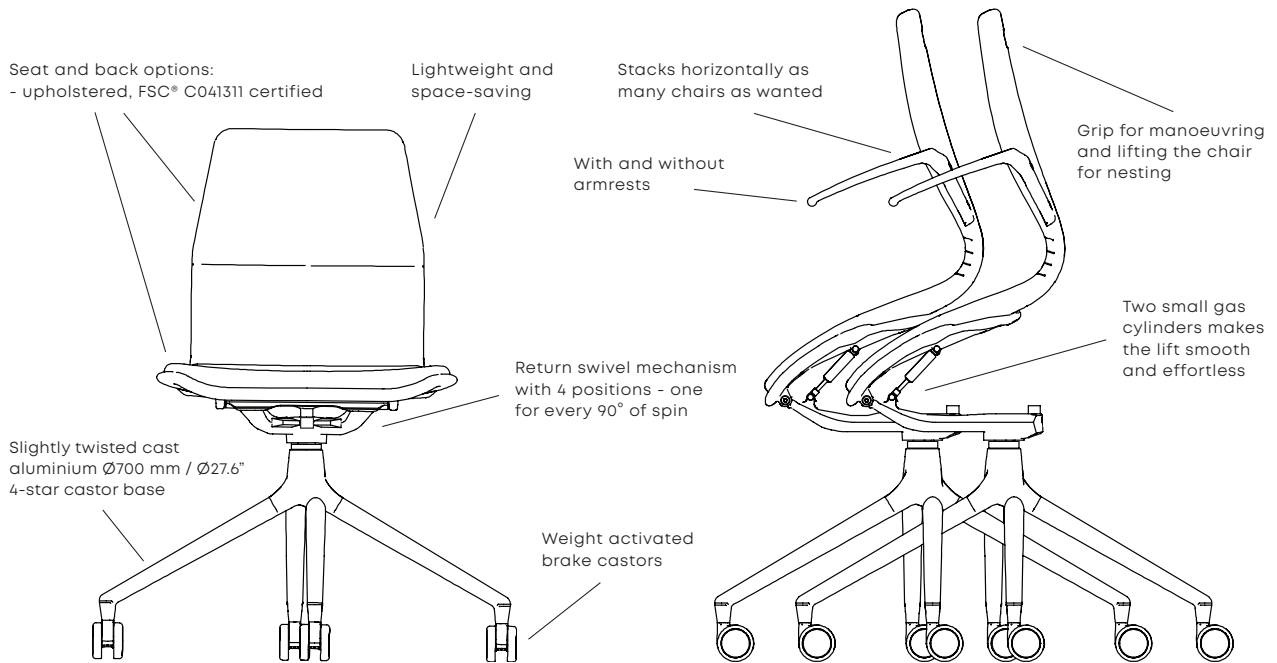


AS100



The AS100 swivel chair is smart, comfortable, and at a quality level that makes it stand out. Designed by the successful German designer Andreas Störko, the AS100 meets the growing need for flexible spaces and agile processes, providing mobility and freedom to arrange work, study, and meeting set-ups at your will.

Due to its patented nesting ability and mobile castor base, the AS100 can be moved across the aisle, stacked into the storage room or into the lift by just one person. AS100 stacks horizontally as many chairs as wanted.

It is part of a product family of nesting chairs and tables, called AS series.

TESTING AND WARRANTY

- AS100 is designed for severe contract use.
- The chair passed testing according to the required EN and BIFMA standards.
- AS100 carries the HOWE 10 year warranty.

